

**WORLD'S
BEST GATE
HINGES**

Safety Gate Hinges

QUALITY GATE HINGES MADE TO LAST

TRU•CLOSE® safety gate hinges are injection-molded from special glass-fiber reinforced polymer materials. These UV-stabilized materials provide strong, rust-free hinges that won't bind, sag or stain! And they *never* require lubrication.

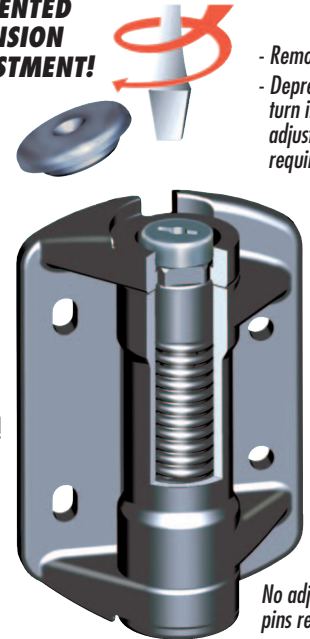
The unique, spring-loaded adjustor within most TRU•CLOSE hinges allows quick, incremental tension adjustment using only a screwdriver. Easy and safe! Gates of different sizes and weights incur different loads, so the ability to adjust tension quickly is critical, especially in child safety areas.

TRU•CLOSE hinges come in "Regular" and "Heavy Duty" models to fit most gates and applications.

TRU•CLOSE®
ADJUSTABLE, SELF-CLOSING GATE HINGES

- NO RUST
- NO BINDING
- NO SAGGING
- NO STAINING

**PATENTED
TENSION
ADJUSTMENT!**



- Remove endcap
- Depress and turn internal adjustor as required

**Meets
Pool Barrier
Codes**

No adjustor pins required

Features

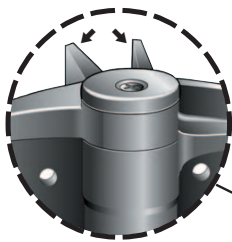
- Molded, reinforced polymer construction
- Unique, patented tension adjustment
- Internal stainless steel spring closer
- Weather-resistant, "self-lubricating" materials
- Regular & Heavy Duty hinge ranges
- Alignment Legs (for extra fitting strength)
- Quality Assurance ISO 9001 manufacturer
- Tested to 50,000 cycles (Reg.), 200,000 (HD)

Benefits

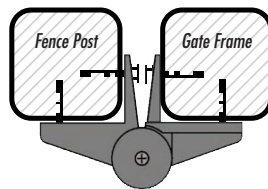
- No rusting, binding, sagging or staining!
- Quick, easy and safe adjustment
- No need for unsightly external spring
- Smooth, even closure. No lubricating.
- Models to fit all gates & applications
- Models to fit all gate materials
- Lifetime Warranty
- Proven to last the test of time

MODEL DESIGN OPTIONS

OPTIONAL 2 LEGS (L2)



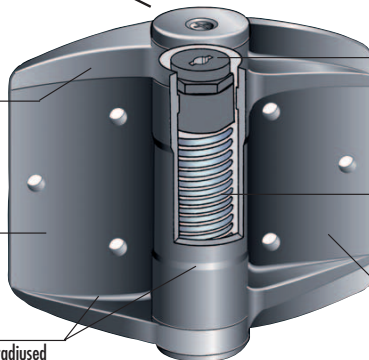
ALIGNMENT LEGS ("L2" models)
"QUIK-FIT" Alignment Legs for fast installation and added fitting strength. Two legs provide secure, double-face fixing.



REINFORCING RIBS
Molded ribs provide superior torsional and lateral leaf strength

STYLISH "FLAT" FINISH
Textured black or white finish gives a stylish, modern look

STRENGTH & STYLE
Subtle design features such as radiused corners and waisting provides strength and an attractive design.



PATENTED ADJUSTOR
Depress for tension. Rises back into sleeve to retain tension.

INTERNAL STAINLESS STEEL SPRING
Provides even closing tension for gates.

MOLDED HINGE BODY
Strong & rust-free. UV-stabilized polymers with glass-fiber reinforcement.

TRU•CLOSE SYSTEM



OLD-FASHIONED EXTERNAL SPRING



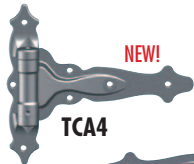
**NO MORE
UNSIGHTLY
EXTERNAL
SPRINGS!**

TRU•CLOSE = REDUCED COSTS & INCREASED SAFETY

With TRU•CLOSE there is no need to pay for or install any other external closing mechanism. It's also safer to adjust and safer for children.

TRU•CLOSE

REGULAR RANGE RESIDENTIAL – Light to medium weight pool & house gates



COLORS: All hinges available in BLACK. Contact us for availability of WHITE.

GAP VARIANCE: L2 models, fixed at 11/16". TCAs (no legs, inc. DecoMold), from 1/4"–1/8".
TCAMA1 from 11/16"–1 1/2"
TCAMA2 from 11/16"–2 1/8"
TCAMA2RND from 3/4"–2 1/8"

MATERIALS



REGULAR RANGE ▼

- Fits gates to 55lb (25kg)
- 300lb (136kg) point load*
- Tested to 50,000 cycles

*TCA1-MK2s – point load now up to 440lb

SPECIFICATIONS

REGULAR RANGE ('TCA' models)

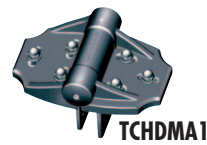
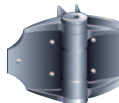
Applications: Most pool or household gates.
Load rating: 55lb (25kg) gate per pair (based on max. gate size 5'Hx3'W (1524x915mm) with max. spacing between hinges).
Point load: 300lb at 31" from pivot point of hinges.
Cycle rating: 50,000 cycles.
Tension: Adjustable. Patented mechanism.
Requirements: No countersinking or lubricating.
Manufacturing: Injection-molded polymers. UV stabilized.
Mount style: Flat, face-fixed to gate & fence.
Opening: 180°. ('GATE STOP' REQUIRED.)
Spring: Stainless steel, torsion type.
Internal fixings: Stainless steel & brass.
Fixing holes: 7/32" (6mm).

REGULAR RANGE ('TCP' model)

Applications: Lightweight gates & doors.
Load rating: 22lb (10kg) gate per pair (based on max. gate size 5'Hx3'W (1524x915mm) with max. spacing between hinges).
Spring: None. Plain pivoting style.



HEAVY DUTY RANGE RESIDENTIAL/COMMERCIAL – Heavy, large, high-traffic gates



COLORS: All hinges standard in BLACK. Ask about availability of WHITE.

GAP VARIANCE: L2 models, fixed at 3/4".
TCHDs, from 1/4"–1".
TCHDMA1, from 5/8"–1 3/8".
TCHDRND1 & TCHDRND2, 3/4"–1 3/8".



HEAVY DUTY RANGE ▼

- Fits gates to 132lb (60kg)
- 700lb (318kg) point load
- Tested to 200,000 cycles

HEAVY DUTY RANGE ('TCHD' models)

Applications: Heavier, larger gates. High traffic areas.
Load rating: 132lb (60kg) gate per pair (based on max. gate size 6'Hx4'W (1830x1220mm) with maximum spacing between hinges).
Point load: 700lb at 44" (1.12m) from pivot point of hinge.
Cycle rating: 200,000 cycles.
Tension: Adjustable. Patented mechanism.
Requirements: No countersinking or lubricating.
Manufacturing: Injection-molded polymers. UV stabilized.
Mount style: Flat, face-fixed to gate & fence.
Opening: 180°. ('GATE STOP' REQUIRED.)
Spring: Stainless steel, torsion type.
Internal fixings: Stainless steel & brass.
Fixing holes: 1/4" (6.7mm).

'MULTI-ADJUST HINGE' & 'ROUND-POST HINGE'

Applications: Heavier, larger gates. High traffic areas.
Multi-Adjust Hinge: Ideal for vinyl and wood.
Round-Post Hinge: Ideal for chainlink.
Load rating: 132lb (60kg) gate per pair (based on max. gate size 6'Hx4'W (1830x1220mm) with maximum spacing between hinges).
Point load: 700lb at 44" (1.12m) from pivot point of hinge.
Manufacturing: Injection-molded polymers. UV stabilized.
Mount style: Flat, face-fixed to gate & fence.
Opening: 180°. ('GATE STOP' REQUIRED.)
Spring: Stainless steel, torsion type.
Internal fixings: Stainless steel & brass.